

User Manual / Manual de Usuario

MR. COFFEE®

Coffeemaker / Cafetera
NC Series / Serie de NC



IMPORTANT SAFEGUARDS

When using electrical appliances, basic safety precautions should always be followed to reduce the risk of fire, electric shock and/or injury to persons, including the following:

- Read all instructions before using the coffeemaker.
- Do not touch the coffeemaker's hot surfaces. Use handles or knobs.
- To protect against electric shock, do not immerse the power cord, power plug or coffeemaker in water or other liquid.
- Close adult supervision is necessary when this appliance is used by or near children.
- Turn the coffeemaker off and unplug the power cord from the power source when the coffeemaker or clock are not in use and before cleaning. Allow the coffeemaker parts to cool before putting on or taking off parts and before cleaning the appliance.
- Do not operate any appliance with a damaged cord or plug or operate it after the appliance malfunctions or has been damaged in any manner. Return this appliance only to the nearest authorized service center for examination, repair or adjustment.
- The use of accessory attachments other than MR. COFFEE® brand may cause hazards or injuries.
- Do not use outdoors.
- Do not let the power cord hang over the edge of a table or counter or allow it to come in contact with hot surfaces.
- Do not place this appliance on or near a hot gas or electric burner or in a heated oven.
- To disconnect, turn the coffeemaker OFF, then remove the power plug from wall outlet.
- Do not use the coffeemaker for other reasons than its intended use.
- Place the coffeemaker on a hard, flat level surface to avoid interruption of air flow underneath the appliance.
- This coffeemaker is designed for household use only.

Decanter Use and Care

Follow the instructions below to reduce or eliminate the chance of breaking the decanter:

- This decanter is designed for use with your MR. COFFEE® coffeemaker and therefore must never be used on a rangetop or in any oven, including a microwave oven.
- Do not set a hot decanter on a wet or cold surface.
- Do not use a cracked decanter or a decanter having a loose or weakened handle.
- Do not clean the decanter with abrasive cleansers, steel wool pads or other abrasive materials.
- Discard the decanter immediately if it is ever boiled dry.
- Protect the decanter from sharp blows, scratches or rough handling.

Warning: To reduce the risk of fire or electric shock, do not remove any service covers. There are no user serviceable parts inside the coffeemaker. Only authorized personnel should repair the coffeemaker.



Special Cord Set Instructions

1. A short power supply cord is provided to reduce the hazards resulting from becoming entangled in or tripping over a longer cord.
2. An extension cord may be purchased and used if care is exercised in its use.
3. If an extension cord is used, the marked electrical rating of the extension cord must be at least 10 amps and 120 volts. The resulting extended cord must be arranged so that it will not drape over the countertop or tabletop where it can be pulled on by children or tripped over accidentally.

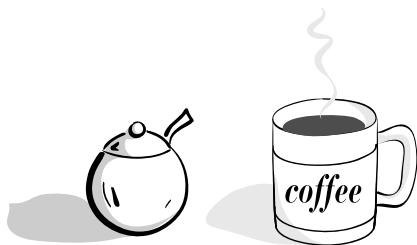
This appliance has a polarized plug (*one blade is wider than the other*). To reduce the risk of electric shock, this plug will fit in a polarized outlet only one way. If the plug does not fit fully in the outlet, reverse the plug. If it still does not fit, contact a qualified electrician. Do not modify the plug in any way.



SAVE THESE INSTRUCTIONS

Table of Contents

Important Safeguards	2
Decanter Use and Care	3
Special Cord Set Instructions	3
Setting Up Your Coffeemaker	5
Coffeemaker Features	6
Adjusting the Power Cord Length	7
Setting the Clock	7
Brewing Coffee	8 – 11
Cleaning the Coffeemaker Before First Use	8
Selecting and Measuring Ground Coffee	8
Adding Water and Ground Coffee	8
Brewing Coffee Now	10
Brewing Coffee Later (Programmable Models Only)	11
Cleaning Instructions	12
Cleaning the Decanter	12
Troubleshooting	13
Service and Maintenance	14
Replacement Parts	14
Repairs	14
Questions, Comments and Suggestions	14
Warranty Information	15



Setting Up Your Coffeemaker

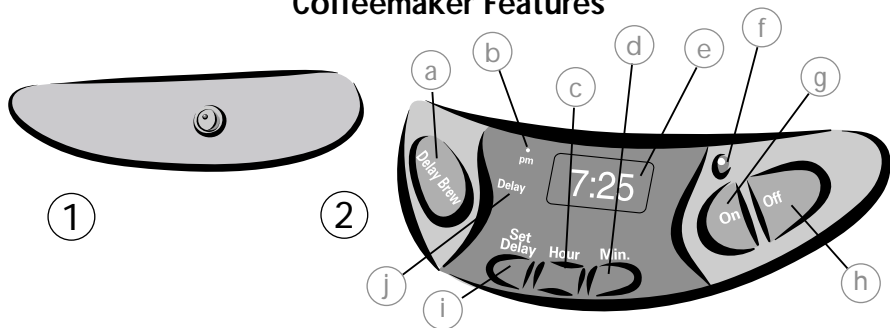
Congratulations on the purchase of your new MR. COFFEE® coffeemaker! Please read these instructions carefully before using your new coffeemaker. Proper use, care and maintenance will ensure trouble-free operation and the long life of this appliance. Save these instructions for cleaning and, if necessary, replacement parts information.

Coffeemaker Features

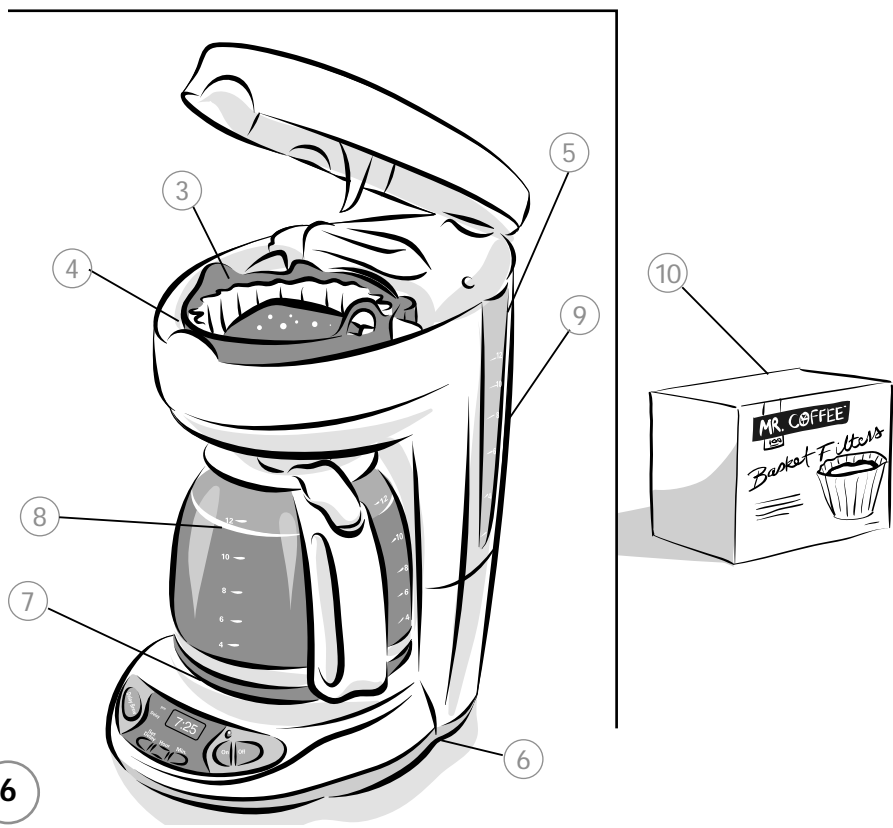
Your new MR. COFFEE® coffeemaker has the following features:

- **12-Cup Brewing Capacity**
- **Cord Storage** – Allows you to store extra cord length for a tidy countertop.
- **Drip-Free Decanter** – Designed to help prevent drips after pouring.
- **Ergonomically Designed Handle** – Provides comfort, control and confidence when pouring.
- **Removable Filter Basket** – The filter basket will lift out of socket to allow you to remove a filter and ground coffee before returning back to its socket.
- **ON/OFF Indicator Light** – This safety feature reminds you that your coffeemaker is on.
- **Non-Stick Warming Plate** – This feature prevents the decanter from sticking to the surface of the warming plate.
- **Pause 'n Serve** – Can't wait for the coffee to finish brewing? The Pause 'n Serve feature allows you up to 30 seconds to pour a cup of coffee while the coffee is still brewing.
- **Two-Hour Auto Shut-Off:** This safety feature keeps your coffee warm for 2 hours after you brew, then automatically turns off.
- **Programmable Controls** (Programmable Models Only)
 - **Clock:** The LED clock serves as a handy kitchen clock, and also allows you to set the timer.
 - **Timer:** Would you like to wake up to a fresh pot of coffee? The timer allows you to preset when you would like the coffeemaker to brew your coffee automatically, up to 24 hours in advance.

Coffeemaker Features



1. ON/OFF Switch
2. Control Panel
(Programmable Models Only)
 - a. Delay Brew Button
 - b. PM Indicator
 - c. Hour Button
 - d. Minute Button
 - e. Clock Display
 - f. On-Off Indicator
3. Removable Filter Insert
4. Brew Basket
5. Water Reservoir
6. Power Cord
7. Warming Plate
8. Decanter
9. Water Level Indicator
10. MR. COFFEE® Brand 8- to 12-Cup Basket Style Coffee Filters



Adjusting the Power Cord Length

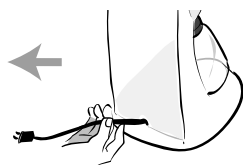
You can customize the length of the power cord so that it is the exact length you desire.

To increase the length of the power cord:

Grasp the power cord (not the power plug) and gently lift it out of the slot, then pull it away from the coffeemaker.

To decrease the length of the power cord:

Grasp the power cord, lift it out of the slot, then feed it into the coffeemaker. Lock the cord in the slot when finished.



Setting the Clock

(Programmable Models Only)

The clock flashes on the control panel to indicate that it has not been set.



You must set the clock if you want to use the DELAY BREW feature.

To set the clock:

- 1) Press and hold the HOUR button until the clock displays the correct hour. See Figure A-1.

The PM indicator will light to indicate a PM time; if the PM indicator is not lit, the time is AM.

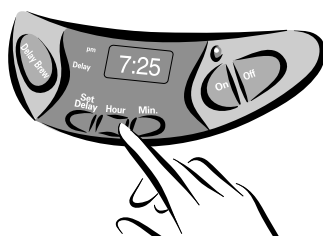


FIGURE A-1

- 2) Press and hold the MIN. button until the clock displays the correct minute. See Figure B-1.

The clock is now set.



FIGURE B-1

Brewing Coffee

Cleaning the Coffeemaker Before First Use

Follow the steps below under "Adding Water and Ground Coffee" and "Brewing Coffee Now," but do not add coffee grounds.

Selecting and Measuring Ground Coffee

For best results, use coffee ground for use with automatic drip coffeemakers. The amounts shown below are suggested amounts.

Number of Cups	Tablespoons
12	9
10	7.5
8	6
6	4.5
4	3
2	1.5
One cup = Five ounces brewed coffee	



Adding Water and Ground Coffee

- 1) Open brew basket lid, turn shower head to the back and lift out the removable filter insert.



If using paper filters, it is important that the sides of the filter fit flush against the sides of the filter insert. If filter collapse occurs, for best results, dampen the filter before placing it in the brew basket and adding ground coffee.



- 2) Place a MR. COFFEE® brand 8-12 cup paper filter or a MR. COFFEE® permanent filter in the filter basket.

- 3) Add the desired amount of ground coffee to the filter. Gently shake the filter insert to level the ground coffee.



- 4) Be certain that the filter is centered in the middle of the removable filter basket insert. Close the brew basket.
- 5) Fill the water reservoir with the desired amount of tap water.
- 6) Close the brew basket lid.

- 7) Place the decanter on the warming plate.



If the brew basket overflows or fails to empty into the decanter, do not open the brew basket lid. An overflow may cause personal injury or damage to property.

To reduce the risk of damaging the decanter and/or the risk of personal injury, do not add cold water to the decanter if the decanter is already hot. Allow the decanter to cool before using.

Do not brew coffee while the brew basket lid is open.

Brewing Coffee Now

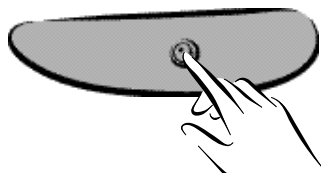
For Switch Models:

Push the switch so the light illuminates.

This light indicates that the coffeemaker is On and the brew cycle will begin. When the coffee stops flowing, the brew cycle is complete.



While the coffee is brewing, the Pause 'n Serve feature allows you to sneak a cup of coffee from the decanter. **REPLACE THE DECANTER ON THE WARMING PLATE WITHIN 30 SECONDS TO PREVENT OVERFLOW AND POSSIBLE INJURY.**



To turn Off the coffeemaker, push the switch so the light is no longer illuminated.

(Models NCS12 and NCS13 Only):

Your coffeemaker will keep your coffee hot for 2 hours and then automatically shut off.



If the brew basket overflows or fails to empty into the decanter, do not open the brew basket. Turn off the coffeemaker. Unplug the coffeemaker and wait for the contents to cool before handling.

For Programmable Models:

Push the ON button when ready to start brewing.

Your coffeemaker will keep your coffee hot for 2 hours, then automatically shut off.

To turn the coffeemaker Off, push the OFF button.

Brewing Coffee Later

For Programmable Models:

You must set the time for when you would like the coffeemaker to begin brewing your coffee.

- 1) While the coffeemaker is off, press and hold the SET DELAY button.
- 2) While pressing and holding the SET DELAY button, press and hold the HOUR button until the clock displays the hour you desire. The PM indicator will light to indicate a PM time; if the PM indicator is not lit, the time is AM.
- 3) While still pressing and holding the SET DELAY button, press and hold the MIN. button until the clock displays the correct minute.
- 4) Release the SET DELAY button. The DELAY BREW time is now set.
- 5) Press the DELAY BREW button to activate the DELAY BREW mode.



The DELAY BREW indicator will light. The delay timer is set and the coffeemaker will begin brewing the coffee at the time you selected.



If you want your coffee to brew at the same time the following day, simply add the desired amount of ground coffee, fill the water reservoir and press DELAY BREW.

Cleaning Instructions

Your Coffeemaker must be cleaned when you begin to notice excessive steaming or the brewing time increases considerably. This condition is caused by a build-up of lime and mineral deposits from your water. If the pumping action stops before all the water has been pumped out of the machine, the appliance requires cleaning.

The frequency of cleaning depends on the hardness of water used. The following table gives a suggested cleaning schedule.

Suggested Cleaning Interval	
Type of Water	Cleaning Frequency
Soft Water	Every 80 Brew Cycles
Hard Water	Every 40 Brew Cycles

Your Coffeemaker may be cleaned by using MR. COFFEE® Cleaner or vinegar. MR. COFFEE® Cleaner is available at many retail stores or by calling the MR. COFFEE® Consumer Service Department at 1-800-MR COFFEE (1-800-672-6333).

Cleaning the Decanter

Hard water can leave a whitish stain on the decanter. Coffee may then turn this stain brown.

To remove decanter stains:

- 1) Fill the decanter with a solution of equal parts tap water and vinegar and let the solution stand in the decanter for approximately 20 minutes.
- 2) Discard the solution and wash and rinse the decanter.



Do not use harsh abrasive cleansers that may scratch the decanter; scratches may cause the decanter to break.



TROUBLESHOOTING

POTENTIAL PROBLEMS

PROBABLE CAUSE

"ON" LIGHT DOES NOT ILLUMINATE	<ul style="list-style-type: none">• Unplugged• Power outage
COFFEE IS NOT BREWING	<ul style="list-style-type: none">• Unplugged• Power outage• The water reservoir is empty; check water window• The filter basket is not properly inserted• Carafe is not placed all the way on the warming plate
COFFEEMAKER ONLY BREWS WATER	<ul style="list-style-type: none">• No grounds in filter basket
COFFEEMAKER BREWS SLOWLY	<ul style="list-style-type: none">• Coffeemaker needs cleaning
FILTER BASKET OVERFLOWS	<ul style="list-style-type: none">• The filter basket is not properly inserted• Carafe is not placed all the way on the warming plate• Carafe lid not on carafe• Too many grounds placed in filter• Carafe was removed from warming plate longer than 30 seconds
BURNING COFFEE SMELL	<ul style="list-style-type: none">• Empty carafe was left on hot warming plate• Coffee was spilled on a warming plate
COFFEE IS NOT HOT	<ul style="list-style-type: none">• Power outage• The Automatic Shut-Off function has been activated
COFFEE TASTES BAD	<ul style="list-style-type: none">• Coffee ground other than for automatic-drip Coffeemaker was used• Ground coffee-to-water ratio was unbalanced
GROUNDS ARE IN COFFEE	<ul style="list-style-type: none">• Paper filter not properly seated in basket• Filter overflowed

Questions? You can call us toll-free at 1-800-672-6333.

Service and Maintenance

Replacement Parts

- **Filters**

For better tasting coffee, we recommend that you use MR. COFFEE® brand 8-12 cup paper filters or MR. COFFEE® brand permanent filters. These filters are available at most grocery stores.

- **Decanters**

You can usually purchase a replacement decanter from the store where you purchased your coffeemaker. If you are unable to find a replacement, please call 1-800 MR COFFEE (1-800-672-6333) in the U.S. and Canada for information on where you can find a store that carries replacement decanters.

Your coffeemaker is compatible with the MR. COFFEE® water filtration disks. These disks can be purchased at your local retailer or through 1-800 MR COFFEE (1-800-672-6333).

Repairs

If your coffeemaker requires service, do not return it to the store where you purchased it. All repairs must be made by Sunbeam or by an authorized MR. COFFEE® Service Center. If you live in the U.S. or Canada, please call us at the following toll-free telephone number to find the location of the nearest authorized service center:

1-800 MR COFFEE (1-800-672-6333)

To assist us in serving you, please have the model number (NC12, NC13, NCS12, NCS13, NCX20, NCX23) and date of purchase available when you call. The model number is stamped on the bottom metal plate of the coffeemaker.

Questions, Comments and Suggestions

We welcome your thoughts; please include your complete name, address and telephone number when you write or e-mail us at:

Consumer Affairs Department
MR. COFFEE
A Product of Sunbeam Corporation
P.O. Box 948389
Maitland, FL 32794-8389
consumeraffairs@consumer.Sunbeam.com

You may also visit our website and discover the secret to brewing the perfect cup of coffee. You'll also find a rich blend of gourmet recipes, entertaining tips and the latest information on MR. COFFEE® products.

www.mrcoffee.com



One-Year Limited Warranty

Sunbeam Products, Inc. ("Sunbeam") warrants that for a period of one year from the date of purchase, this product will be free from defects in material and workmanship. Sunbeam, at its option, will repair or replace this product or any component of the product found to be defective during the warranty period. Replacement will be made with a new or remanufactured product or component. If the product is no longer available, replacement may be made with a similar product of equal or greater value. This is your exclusive warranty.

This warranty is valid for the original retail purchaser from the date of initial retail purchase and is not transferable. Keep the original sales receipt. Proof of purchase is required to obtain warranty performance. Sunbeam dealers, service centers, or retail stores selling Sunbeam products do not have the right to alter modify or in any way change the terms or conditions of this warranty.

This warranty does not cover normal wear of parts or damage resulting from any of the following: negligent use or misuse of the product, use on improper voltage or current, use contrary to the operating instructions, disassembly, repair or alteration by anyone other than Sunbeam or an authorized service center. Further, the warranty does not cover acts of God, such as fire, flood, hurricanes and tornadoes.

Sunbeam shall not be liable for any incidental or consequential damages caused by the breach of any express or implied warranty. Except to the extent prohibited by applicable law, any implied warranty of merchantability or fitness for a particular purpose is limited in duration to the duration of the above warranty. Some states, provinces or jurisdictions do not allow the exclusion or limitation of incidental or consequential damages or limitation on how long an implied warranty lasts, so the above limitations or exclusion may not apply to you. This warranty gives you specific legal rights, and you may also have other rights that vary from state to state or province to province.

How to Obtain Warranty Service

Take the product to an authorized Sunbeam service center. You may obtain a list of service centers and other repair/replacement instructions by calling 800 672-6333 or send an e-mail to Consumeraffairs@consumer.sunbeam.com. Please include name, address, telephone number, product model number and description of the problem.

For products purchased in the United States –

SUNBEAM SERVICE CENTER
c/o Warranty Center
117 Industrial Row
Purvis, MS 39475

DO NOT RETURN THIS PRODUCT TO THE PLACE OF PURCHASE

PRECAUCIONES IMPORTANTES

Cuando use algún aparato eléctrico siempre deben de seguirse precauciones básicas de seguridad incluyendo las siguientes para reducir el riesgo de incendio o descargas eléctricas, y /o daños a personas:

- Lea todas las instrucciones cuidadosamente antes de usar la cafetera.
- No toque las superficies calientes de la cafetera. Utilice las manijas o las perillas.
- Para protegerse contra una descarga eléctrica, no sumerja el cordón, el enchufe o la cafetera en agua o en otros líquidos.
- Supervisión cercana es necesaria cuando el aparato es usado por o cerca de niños.
- Apague la cafetera y desconéctela de la toma de corriente cuando ésta o el reloj no estén en uso y antes de limpiarlos. Permita que se enfríe antes de poner o quitar partes y antes de limpiar el electrodoméstico.
- No opere ningún aparato con un cordón dañado o después de que el aparato ha funcionado inadecuadamente o ha sido dañado en cualquier manera. Regrese el aparato a un centro de servicio autorizado para su examinación, reparación o ajuste.
- El uso de accesorios o aditamentos que no sean de la marca MR. COFFEE® puede causar lesiones o daños.
- No se use en exteriores.
- No permita que el cordón cuelgue sobre la orilla de la mesa o del mostrador o toque superficies calientes.
- No coloque este aparato sobre o cerca de quemadores de estufas de gas o dentro de un horno caliente.
- Para desconectar, coloque el control en la posición de APAGADO/OFF, después remueva el enchufe de la toma de corriente.
- No use esta cafetera más que para lo que ha sido diseñada.
- Coloque la cafetera sobre una superficie dura y nivelada para evitar la interrupción del flujo de aire debajo del aparato.
- Esta cafetera es para uso doméstico únicamente.

Cuidado y Uso de la Jarra

Siga las siguientes instrucciones para reducir o eliminar el riesgo de romper la jarra:

- Esta jarra está diseñada para ser utilizada con su cafetera MR. COFFEE®, por lo tanto nunca debe ser usada sobre las hornillas de una estufa, horno ni tampoco en un horno microondas.
- No coloque la jarra de vidrio caliente en una superficie fría o mojada.
- No utilice una jarra quebrada o con un asa debilitada.
- No limpie la jarra con polvos limpiadores, fibras metálicas o de lana o cualquier otro material abrasivo.
- Deseche la jarra inmediatamente si sus contenidos se evaporan al hervir.
- Proteja la jarra de filos, raspaduras o un manejo brusco.

Advertencia: Para reducir el riesgo de incendio o descarga eléctrica, **no quite ninguna cubierta para darle servicio al aparato. En el interior de la cafetera no se encuentra ninguna parte que pueda ser remplazada. Solamente el personal autorizado debe reparar la cafetera.**



Instrucciones Especiales del Cordón Eléctrico

- 1) El aparato tiene un cordón eléctrico corto como medida de seguridad para prevenir el riesgo de tropezar, tirar o enredarse con un cordón más largo.
- 2) Puede usar cables de extensión si se observan las precauciones adecuadas.
- 3) Si se usan los cables de extensión la capacidad nominal eléctrica del cable de extensión debe ser de por lo menos 10 amperios y 120 voltios. Coloque el cordón de extensión de manera que no cuelgue sobre el borde del mostrador o mesa donde pueda tirarlo un niño o pueda tropezar con él accidentalmente.

Este aparato cuenta con una clavija polarizada (una pata es más ancha que la otra). Para reducir el riesgo de descarga eléctrica, esta clavija entra sólo de una manera en un enchufe polarizado. Si la clavija no encaja en el enchufe simplemente colóquela al revés. Si aún así no encaja llame a un electricista de su confianza. De ninguna manera intente modificar esta medida de seguridad.



CONSERVE ESTAS INSTRUCCIONES

Índice

Precauciones Importantes	16
Cuidado y Uso de la Jarra	17
Instrucciones Especiales del Cordón Eléctrico	17
Preparando Su Cafetera	19
Características de Su Cafetera	20
Ajustando la Longitud del Cable Eléctrico	21
Ajustando el Reloj	21
Preparando Café	22 – 25
Limpieza de la Cafetera Antes de Usar por Primera Vez	22
Seleccionando y Midiendo el Café Molido	22
Añadiendo Agua y Café Molido	22
Preparando Café Ahora	24
Preparando Café Más Tarde (Para Modelos Programables Sólomente).	25
Instrucciones de Limpieza	26
Limpieza de la Jarra	26
Problemas y Soluciones	27
Servicio y Mantenimiento	28
Partes de Repuesto	28
Reparaciones	28
Preguntas, Comentarios y Sugerencias	28
Garantía	29



Preparando Su Cafetera

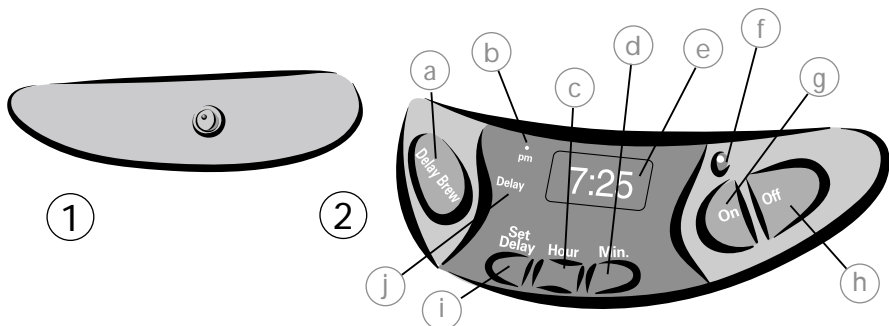
¡Felicitaciones por la compra de su nueva cafetera MR. COFFEE®! Por favor lea estas instrucciones cuidadosamente antes de usar su nueva cafetera. El uso, cuidado y mantenimiento adecuado asegurarán una operación sin problemas y una larga duración de este aparato. Guarde estas instrucciones para la información de limpieza y si es necesario para la información de partes de repuesto.

Características de Su Cafetera

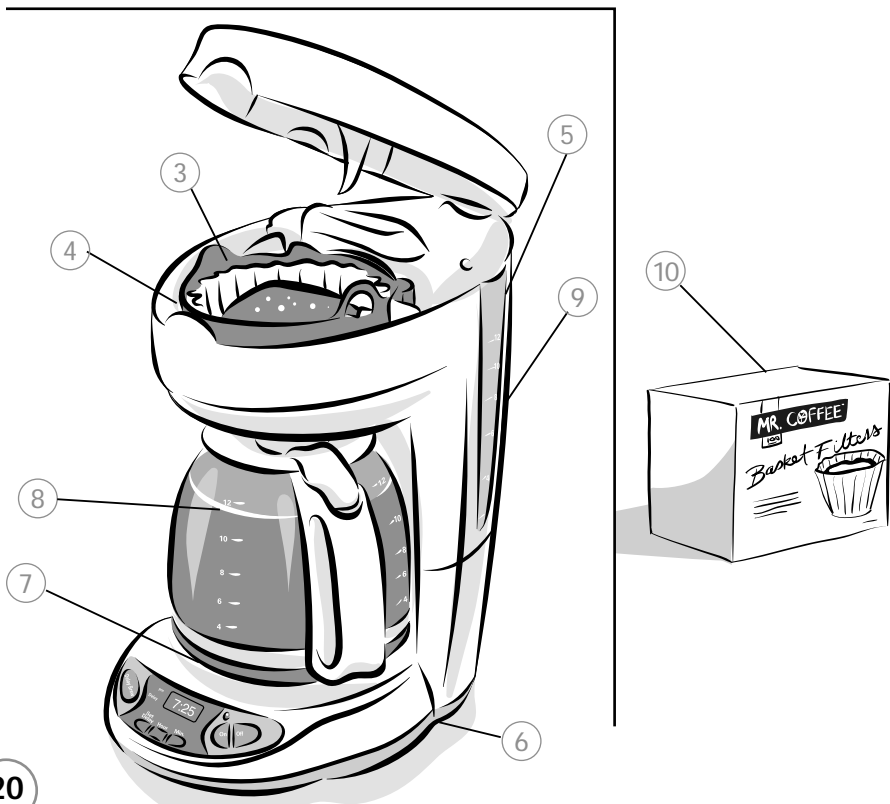
Su nueva cafetera MR. COFFEE® tiene las siguientes características:

- **Capacidad de Preparación de 12 Tazas**
- **Almacenamiento del Cordón** – Le permite almacenar la longitud extra de cordón que no utilice para mantener limpio su mostrador o mesa.
- **Jarra Resistente a Goteos** – Diseñada para ayudar a prevenir goteos después de servir.
- **Mango de la Jarra Diseño Ergonómicamente** – Proporciona comodidad, control y seguridad al servir el café.
- **Canasta de Filtro Removible** – La canasta de filtro removible le permite levantar la canasta de la cavidad y sacar el filtro y el café molido antes de colocarla nuevamente en su lugar.
- **Luz Iluminado de Encendido / Apagado ON/OFF** – Esta función de seguridad le recuerda que su cafetera está encendida.
- **Plato Calefactor Antiadherente** – Esta característica previene que la jarra se adhiera a la superficie del plato calefactor.
- **Pause 'n Serve** – ¿No puede esperar a que el café termine de prepararse? La función de pausa y sirva, (Pause 'n Serve) le da hasta 30 segundos para servir una taza de café mientras que el café continua preparándose.
- **Apagado Automático en Dos Horas:** Esta medida de seguridad mantiene su café caliente durante dos horas después de que ha sido preparado, después automáticamente apaga la cafetera.
- **Controles Programables (Modelos Programables Únicamente)**
 - **Reloj:** El reloj LED sirve como un útil reloj de cocina, así como también le permite programar el cronómetro.
 - **Cronómetro:** ¿Le gustaría despertar y tener una jarra de café fresco? El cronómetro le permite programar cuándo le gustaría que la cafetera inicie la preparación del café de una forma automática, hasta con 24 horas de anticipación.

Características de Su Cafetera



1. Interruptor de Encendido/ Apagado ON/OFF
2. Panel de Control
(Modelos Programables Únicamente)
 - a. Botón para Retrasar la Preparación Delay Brew
 - b. Indicador PM
 - c. Botón de la Hora
 - d. Botón de los Minutos
 - e. Pantalla del Reloj
3. Inserto del Filtro Removable
- f. Indicador de Encendido/ Apagado On-Off
- g. Botón de Encendido On
- h. Botón de Apagado Off
- i. Botón para Programar el Retraso de la Preparación Set Delay
- j. Indicador de Retraso de Preparación Delay Brew
4. Canasta de Preparación
5. Tanque de Agua
6. Cordón Eléctrico
7. Plato Calefactor
8. Jarra
9. Indicador de Nivel del Agua
10. Filtros Marca MR. COFFEE® Estilo Canasta, para 8 – 12 tazas



Ajustando la Longitud del Cable Eléctrico

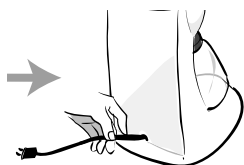
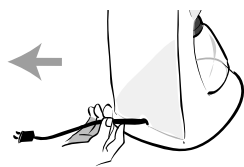
Usted puede ajustar la longitud del cordón eléctrico de manera que tenga la longitud exacta que usted desea.

Para aumentar la longitud del cordón eléctrico:

Tome el cordón eléctrico (no el enchufe) y jale suavemente sacándolo de la ranura, después jálelo alejándolo de la cafetera.

Para reducir la longitud del cordón eléctrico:

Tome el cordón eléctrico, sáquelo de la ranura, y después alimente el cordón al interior de la cafetera. Asegure el cordón en la ranura cuando haya terminado.



Ajustando el Reloj

(Modelos Programables Únicamente)

El reloj se ilumina intermitentemente en el panel de control para indicar que no ha sido ajustada la hora correcta.



Usted debe ajustar el reloj si quiere utilizar la función de retraso de la preparación de café DELAY BREW.

Para ajustar la hora correcta en el reloj:

- 1) Presione y detenga el botón de hora HOUR hasta que en la pantalla del reloj aparezca la hora correcta. Consulte la Figura A-1.

El indicador PM se iluminará para indicar la hora PM; si el indicador PM no se ilumina, entonces la hora es AM.

- 2) Presione y detenga el botón de minutos MIN hasta que en la pantalla del reloj aparezcan los minutos correctos. Consulte la Figura B-1.

Ahora el reloj tiene la hora correcta.

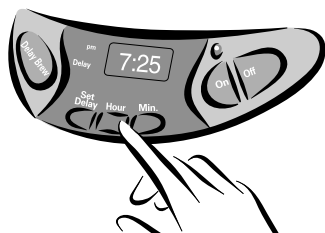


FIGURA A-1

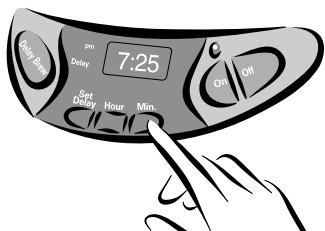


FIGURA B-1

Preparando Café

Limpieza de la Cafetera Antes de Usar por Primera Vez

Siga los pasos indicados en la sección "Añadiendo Agua y Café Molido" y en "Preparando Café Ahora", pero no agregue los granos de café.

Seleccionando y Midiendo el Café Molido

Para mejores resultados, use granos de café para cafeteras de goteo automático. Las cantidades que se muestran a continuación son cantidades sugeridas.

Número de Tazas	Cucharadas Soperas
12	9
10	7.5
8	6
6	4.5
4	3
2	1.5
Una taza = 5 onzas de café preparado	



Añadiendo Agua y Café Molido

- 1) Abra la tapa de la canasta de preparación, gire la regadera a la parte de atrás y retire el inserto del filtro.



Si utiliza filtros de papel, es importante que los lados del filtro queden ajustados contra las paredes del inserto del filtro. Si el filtro se dobla, para mejores resultados, humedezca el filtro antes de colocarlo dentro de la canasta de preparación y añada los granos molidos de café.



- 2) Coloque un filtro de papel de la marca MR. COFFEE® para preparar 8 – 12 tazas o bien un filtro permanente de la marca MR. COFFEE® dentro de la canasta para filtro.

- 3) Agregue la cantidad deseada de café molido al filtro. Suavemente agite el filtro para nivelar el café molido.



- 4) Asegúrese de que el filtro esté en el centro del inserto del filtro removible de la canasta y después cierre la canasta de preparación.

- 5) Llene el tanque de agua con la cantidad deseada de agua de grifo.

- 6) Cierre la tapa de la canasta del filtro.

7) Coloque la jarra sobre el plato calefactor.



Si la canasta de preparación se desborda o falla en desocuparse en el decantador, no abra la tapa de la canasta de preparación. Un desbordamiento puede causar lesión personal o daños.

Para reducir el riesgo de dañar la jarra y/o el riesgo de lesión personal, no agregue agua fría a la jarra si ésta ya está caliente. Permita que la jarra se enfríe antes de utilizar.

No prepare café mientras que la canasta de preparación esté abierta.

Preparando Café Ahora

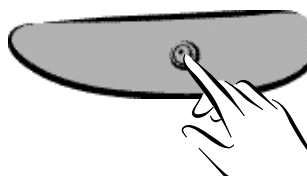
Para los modelos con interruptor:

Presione el interruptor, de manera que la luz se encienda.

Esta luz indica que la cafetera está encendida y que el ciclo de preparación iniciará. Cuando el café deje de fluir en la cafetera, el ciclo de preparación se ha completado.



Mientras que el café está siendo preparado, la función de pausa y servir *Pause 'n Serve* permite que puede servirse con la jarra una taza de café. **COLOQUE LA JARRA SOBRE EL PLATO CALEFACTOR EN UN PERIODO MENOR A 30 SEGUNDOS PARA PREVENIR QUE EL CAFÉ SE DERRAME Y UNA POSIBLE LESIÓN.**



Apague la cafetera, presionando el interruptor de manera que la luz ya no esté iluminada.

(Modelos NCS12 y NCS13 Únicamente) :

Su cafetera mantendrá su café caliente hasta por 2 horas y después se apagará automáticamente.



Si la canasta de preparación derrama café o no vacía el café a la jarra, no abra la canasta de preparación. Apague la cafetera. Desconéctela y espere a que los contenidos se enfríen antes de manejarlos.

Para Modelos Programables:

Presione el botón de encendido ON cuando esté listo para comenzar a preparar café.

Su cafetera mantendrá caliente el café durante 2 horas, después se apagará automáticamente.

Para apagar la cafetera, presione el botón de apagado OFF.

Preparando Café Más Tarde

Para Modelos Programables:

Usted debe programar el tiempo en el que le gustaría que la cafetera inicie a preparar su café.

- 1) Mientras que la cafetera está apagada, presione y detenga el botón para programar el retraso de la preparación de café SET DELAY.



- 2) Mientras sigue presionando el botón para programar el retraso de la preparación de café SET DELAY, presione y detenga el botón de hora HOUR hasta que la pantalla en el reloj muestre la hora que usted desea. El indicador PM se iluminará para indicar un tiempo PM, si el indicador PM no se ilumina, el tiempo es AM.



- 3) Mientras aun presiona y detiene el botón SET DELAY, presione y detenga el botón de minutos MIN. hasta que la pantalla en el reloj muestre los minutos correctos.

- 4) Deje de presionar el botón SET DELAY. Ya está programado el tiempo de retraso de la preparación de café DELAY BREW.

- 5) Presione el botón para retrasar la preparación del café DELAY BREW y activar el modo de funcionamiento DELAY BREW.

El indicador de retrasar la preparación DELAY BREW, se iluminará. El cronómetro de retraso está programado y la cafetera comenzará la preparación de café a la hora que usted seleccionó.



Si usted desea que su cafetera prepare café a la misma hora al día siguiente, simplemente añada la cantidad deseada de café molido, llene el tanque con agua y presione el botón DELAY BREW.



Limpieza

Usted debe limpiar su cafetera cuando note cualquiera de las siguientes condiciones. Salida excesiva de vapor o los tiempos de preparación aumentan considerablemente. Esto es causado por acumulación de residuos minerales que se encuentran en el agua. Si la acción de bombeo se detiene antes de que toda el agua haya sido bombeada fuera del aparato, la cafetera requiere limpieza.

La frecuencia de limpieza del aparato depende de la dureza del agua que se usa para preparar café. La siguiente tabla le indica un programa sugerido de limpieza.

Intervalos de Limpieza Sugeridos	
Tipos de Agua	Frecuencia de Limpieza
Agua Suave	Cada 80 Ciclos de Preparación
Agua Dura	Cada 40 Ciclos de Preparación

Puede limpiar su Cafetera utilizando el limpiador MR. COFFEE® o vinagre. El Limpiador MR. COFFEE® está disponible en las tiendas o llamando al Departamento de Servicio al Cliente MR. COFFEE® al 1-800-MR-COFFEE (1-800-672-6333)

Limpieza de la Jarra

El agua dura puede dejar manchas blancas en la jarra. El café puede tornar estas manchas color café.

Para remover las manchas de la jarra:

- 1) Llene la jarra con una solución de partes iguales de agua y vinagre blanco y deje que la solución repose en la jarra durante aproximadamente 20 minutos.
- 2) Deseche la solución, lave y enjuague la jarra.



No use limpiadores abrasivos que puedan dejar marcas en la jarra; las marcas pueden propiciar que la jarra se rompa.

PROBLEMAS Y SOLUCIONES

PROBLEMAS POTENCIALES

CAUSAS PROBABLES

LA LUZ DE ENCENDIDO "ON" NO SE ILUMINA

- Está desconectada
- Interrupción de la energía eléctrica

NO PREPARA CAFÉ

- Está desconectada
- Interrupción de la energía eléctrica
- No hay agua en el tanque, revise la ventana de visibilidad
- La canasta del filtro no está correctamente insertada
- La jarra no está totalmente colocada sobre el plato calefactor

LA CAFETERA PREPARA AGUA SOLAMENTE

- No hay granos de café en la canasta del filtro

LA CAFETERA PREPARA CAFÉ MUY LENTAMENTE

- La cafetera requiere limpiando

LA CANASTA DEL FILTRO SE DESBORDA

- La canasta del filtro no está correctamente insertada
- La jarra no está totalmente colocada sobre el plato calefactor
- La tapa de la jarra no está colocada sobre la jarra
- Hay demasiados granos de café en el filtro
- La jarra fue removida del plato calefactor por más de 30 segundos

OLOR A CAFÉ QUEMADO

- Se dejó la jarra vacía sobre el plato calefactor caliente
- Se derramo café sobre el plato calefactor

EL CAFÉ NO ESTÁ CALIENTE

- Interrupción de la energía eléctrica
- Fue activada la función de apagado automático en 1 hora

EL CAFÉ NO TIENE BUEN SABOR

- Se utilizó un tipo de café molido que no se recomienda para cafeteras de goteo automático
- La proporción de agua/café no fue balanceada

HAY GRANOS DE CAFÉ EN LA BEBIDA

- El filtro de papel no fue correctamente colocado en la canasta
- Se derramó el filtro

PREGUNTAS? Usted llamar a 1-800-672-6333.

Servicio y Mantenimiento

Partes de Repuesto

- **Filtros**

Para un café con mejor sabor, recomendamos que utilice los filtros de papel para preparar de 8 a 10 tazas, marca MR. COFFEE® o los filtros permanentes marca MR. COFFEE®. Estos filtros están disponibles en casi todos los supermercados.

- **Jarras**

Usted puede generalmente comprar una jarra de repuesto de la tienda donde compró su cafetera. Si usted no puede encontrar un repuesto, por favor llame a 1-800 MR COFFEE (1-800-672-6333) dentro de los Estados Unidos y Canadá para obtener información acerca de dónde puede encontrar una tienda que venda las jarras de repuesto.

Reparaciones

Si su cafetera requiere servicio, no la envíe al lugar donde la compró. Todas las reparaciones deben ser hechas por Sunbeam o por un Centro de Servicio MR. COFFEE®. Si usted vive en los Estados Unidos o en Canadá, por favor llámenos al siguiente número sin cargo para encontrar el lugar del centro de servicio autorizado más cercano:

1-800 MR COFFEE (1-800-672-6333)

Para ofrecerle un mejor servicio cuando llame, por favor tenga a la mano la información del número de modelo (NC12, NC13, NCS12, NCS13, NCX20, NCX23) y la fecha de compra. El número de modelo está estampado en la placa metálica debajo de la cafetera.

Preguntas, Comentarios y Sugerencias

Agradecemos sus comentarios, por favor incluya su nombre completo, dirección y número telefónico cuando nos escriba o nos envíe un correo electrónico a:

Consumer Affairs Department

MR. COFFEE

A Product of Sunbeam Corporation

P.O. Box 948389

Maitland, FL 32794-8389

consumeraffairs@consumer.Sunbeam.com

Usted puede visitar nuestra página en el Internet y descubrir el secreto de preparar la taza de café perfecta.

Usted también encontrará una rica mezcla de recetas gourmet, consejos para recibir a sus invitados y la información más actualizada acerca de los productos MR. COFFEE®.



www.mrcoffee.com

Garantía Limitada de 1 Año

Sunbeam Products Inc. ("Sunbeam") garantiza que, por un período de un año a partir de la fecha de compra, este producto estará libre de defectos en el material y en la mano de obra. Sunbeam a su criterio, reparará o reemplazará este producto o cualquiera de los componentes del mismo que estén defectuosos durante el período de garantía. El reemplazo será hecho con un producto o componente nuevo o reconstruido. Si el producto ya no se encuentra disponible, se reemplazará con un producto similar de igual o mayor valor. Esta es su garantía exclusiva.

Esta garantía es válida para el comprador original a partir de la fecha inicial de compra y no es transferible. Conserve el recibo original de compra. La prueba de compra es requerida para obtener la garantía. Los vendedores, centros de servicio de Sunbeam o tiendas donde se vendan productos Sunbeam, no tienen el derecho de alterar, modificar o cambiar de ninguna otra forma los términos o condiciones de esta garantía.

Esta garantía no cubre el desgaste por el uso normal de las partes o daños que resulten de cualquiera de lo siguiente: negligencia o uso incorrecto del producto, uso bajo un voltaje o corrientes inadecuados, uso contrario a las instrucciones de operación, desensamble, reparaciones o alteraciones hechas por una persona que no pertenezca a Sunbeam o a un centro de servicio autorizado. Mas aún, la garantía no cubre factores imprevisibles tales como incendios, inundaciones, huracanes y tornados.

Sunbeam no será responsable de ningún daño incidental o consecuente causado por el incumplimiento de cualquier garantía expresa o implícita. Excepto al alcance prohibido por la ley que aplique, cualquier garantía implícita de comercialización o ajustes para un propósito en particular, está limitada en duración al periodo de la garantía que arriba se indica. En algunos estados, provincias o jurisdicciones, no se permite la exclusión o limitación de daños incidentales o consecuentes o limitaciones en la duración de una garantía implícita, así que las limitaciones o exclusiones que se indican anteriormente pueden no ser aplicables a usted. Esta garantía le da a usted derechos legales específicos y usted puede también tener otros derechos que varían de estado a estado y de provincia a provincia.

Cómo Obtener el Servicio de la Garantía

Lleve el producto a un centro de Servicio Autorizado Sunbeam. Usted puede obtener una lista de los centros de servicio e instrucciones acerca de la reparación o reemplazo del producto llamando al 800 672-6333 o envíe un e-mail o correo electrónico a: **Consumeraffairs@consumer.sunbeam.com**. Por favor incluya su nombre, dirección, número telefónico, número de modelo del producto y descripción del problema.

Para productos comprado en los Estados Unidos -

SUNBEAM SERVICE CENTER

c/o Warranty Center

117 Industrial Row

Purvis, MS 39475

NO ENVÍE ESTE PRODUCTO AL LUGAR DONDE FUE ADQUIRIDO

MR. COFFEE®

©2003 Sunbeam Products, Inc. All rights reserved.
MR. COFFEE® is a registered trademark of Sunbeam Products, Inc.
Distributed by Sunbeam Products, Inc., Boca Raton, Florida 33431.

©2003 Sunbeam Products, Inc. Todos los derechos reservados.
MR. COFFEE® es una marca registrada de Sunbeam Products, Inc.
Distribuido por Sunbeam Products, Inc., Boca Raton, Florida 33431.